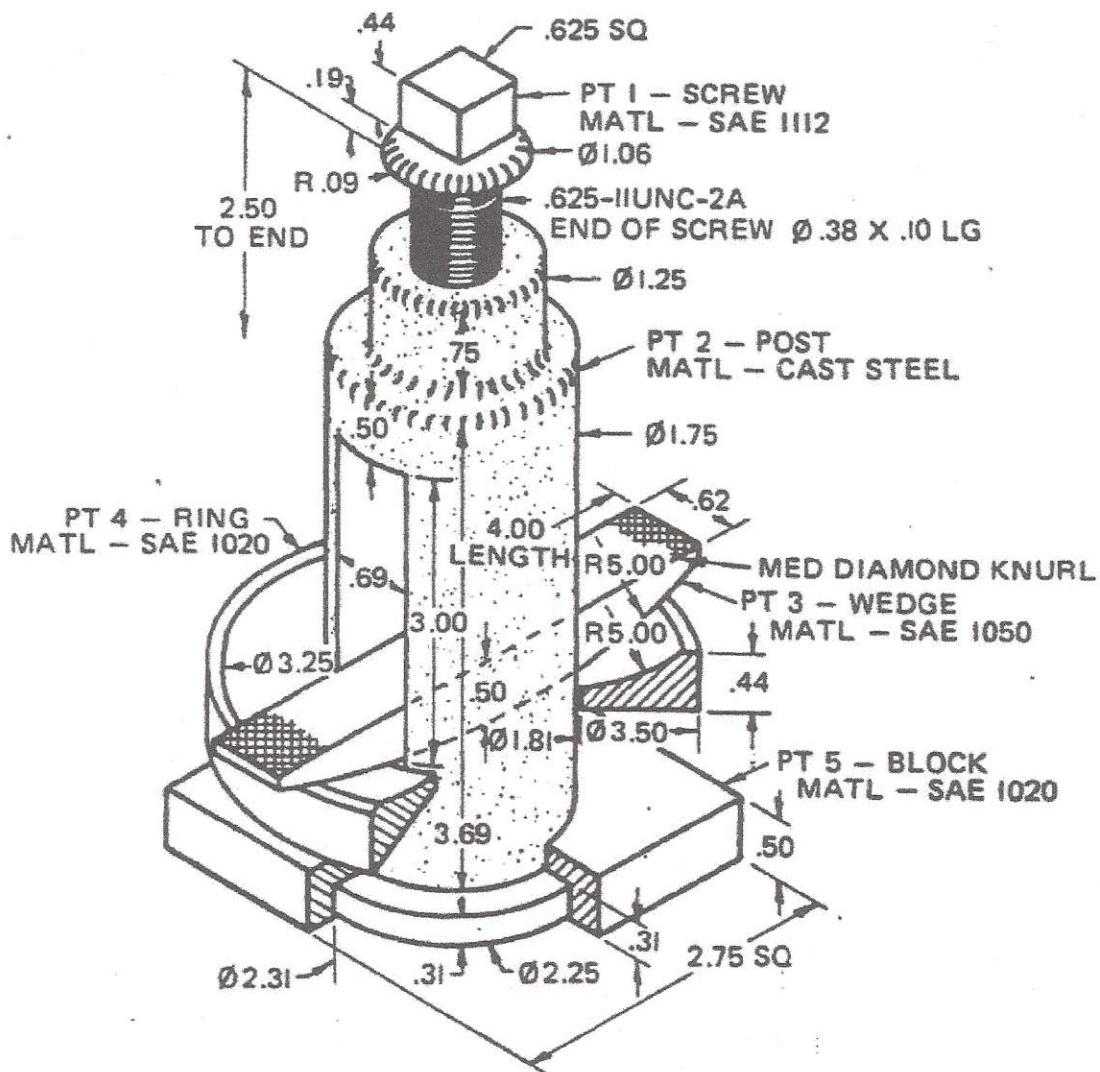


B-MECH PROBLEM

Mechanical Drawing
Working Drawings

TOOL POST HOLDER

NOTE: ALL
DIMENSIONS ARE TO
BE DECIMAL TO 3
PLACES



MATERIALS FOR ITEMS DEPICTED
ITEM 1: AISI/SAE 1112 CRS
ITEM 2: ASTM A27 GR N-1 CAST STEEL
ITEM 3: AISI/SAE 1050 CRS
ITEM 4: AISI/SAE 1020 CRS
ITEM 5: AISI/SAE 1020 CRS

HINT:
ITEM 1 CLAMPS ITEM
TO BE HELD (NOT
SHOWN) TO ITEM 3
IN .690" SLOT