

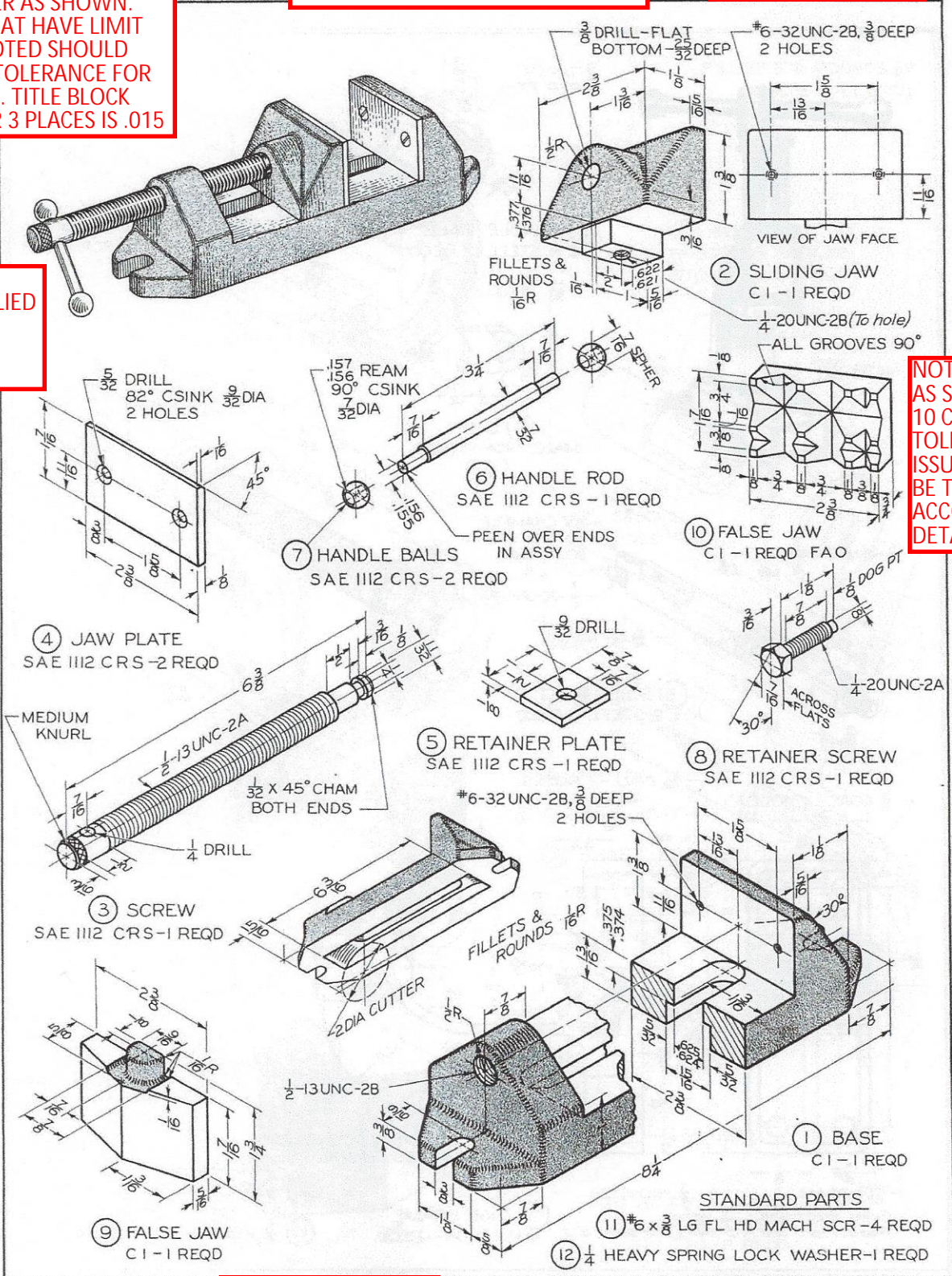
NOTE: ALL DIMENSIONS ARE TO BE DECIMAL AND TO THREE PLACES EXCEPT THREADS WHICH ARE TO REMAIN IN FRACTION OR THREAD NUMBER AS SHOWN. DIMENSIONS THAT HAVE LIMIT TOLERANCES NOTED SHOULD REMAIN SUCH. TOLERANCE FOR ANGLES IS +/- 5°. TITLE BLOCK TOLERANCE FOR 3 PLACES IS .015

A-MECH/B-MECH PROBLEM ATTACHMENT 2

NOTE: THREADS SHALL BE SHOWN USING 'SIMPLIFIED' DRAFTING METHOD

A-MECH ONLY GD&T TO BE APPLIED TO 63 FINISH SURFACES ONLY (ITEMS 1 & 2)

NOTE: DIMENSIONS AS SHOWN FOR ITEM 10 CREATE A TOLERANCE STACKUP ISSUE. THIS SHOULD BE TAKEN INTO ACCOUNT WHEN DETAILING.



MATERIALS FOR ITEMS:
 1. ITEMS THAT HAVE SAE 1112 CRS NOTED SHOULD BE NOTED AS: AISI/SAE 1112 CRS
 2. ITEMS THAT HAVE CI NOTED SHOULD BE NOTED AS: CAST IRON ASTM A47-77 NO. 35018

NOTE: SHADED AREAS ON CAST IRON PARTS ARE TO BE 'AS CAST' WITH A DRAFT ANGLE 0°-2°. ALL MACHINED SURFACES 125 FINISH EXCEPT INSIDE OF ITEM 1, BOTTOM OF ITEM 2 AND TOP AND BOTTOM SURFACE OF ITEM 5 WHICH HAVE 63 FINISH

HINT: ITEM 5 MOUNTS IN THE .625/.624 SLOT IN ITEM 1 AND IS INSTALLED WITH ITEM 8 AND ITEM 12. 'DOG POINT' OF ITEM 8 IN INSERTED INTO .188 SLOT OF ITEM 3 AT ASSEMBLY

NOTE: FILLETS AND ROUNDS ON CAST PARTS SHALL BE R.062 AND NOTED IN GENERAL NOTES FOR EACH SHEET OR WITH EACH DETAIL.

Drill press vise.

STANDARD PARTS

- (11) #6 x 3/8 LG FL HD MACH SCR -4 REQD
- (12) 1/4 HEAVY SPRING LOCK WASHER-1 REQD